

Grinding efficiency improvement of hydraulic cylinders parts for mining equipment

Aleksandr Korotkov^{1,*}, *Vitaliy Korotkov*¹, *Leonid Mametyev*², *Lidia Korotkova*¹ and *Tatiana Terjaeva*³

¹T.F. Gorbachev Kuzbass State Technical University, Department of Metal-cutting machines and tools, 28 Vesennya st., Kemerovo, Russian Federation, 650000

²T.F. Gorbachev Kuzbass State Technical University, Department of Mining machines and complexes, 28 Vesennya st., Kemerovo, Russian Federation, 650000

³T.F. Gorbachev Kuzbass State Technical University, Department of Coal, Engineering Plastics and Environmental Protection, 28 Vesennya st., Kemerovo, Russian Federation, 650000

Abstract. The aim of the article is to find out ways to improve parts treatment and components of mining equipment on the example of hydraulic cylinders parts, used as pillars for mine roof supports, and other actuator mechanisms. In the course of the research work methods of machine retaining devices design were used, the scientific approaches for the selection of progressive grinding schemes were applied; theoretical and practical experience in the design and production of new constructions of grinding tools was used. As a result of this work it became possible to create a progressive construction of a machine retaining device for grinding of large parts of hydraulic cylinders, to apply an effective scheme of rotary abrasive treatment, to create and implement new design of grinding tools by means of grains with controllable shape and orientation. Implementation of the results obtained in practice will improve the quality and performance of repairing and manufacturing of mining equipment.

1 Introduction

Hydraulic cylinders are widely used in mining industry as hydraulic pillars for mine roof supports, as well as actuators for different mining equipments. Hard working conditions of hydraulic cylinders (heavy loads, high humidity, coal dust, and coal and rock fragments as active abrasive elements) lead to their intensive wear, damage or malfunction.

As a result, a problem of repairing often occurs, reconstruction of individual parts of cylinders or their complete replacement. As half of the main components of the hydraulic cylinder is made with high accuracy and low surface roughness and it has a "mirrored" surface, so parts treatment is closely connected with grinding and with grinding tools.

Analysis of ways to enhance the effectiveness of the grinding process of essential parts of hydraulic cylinders shows that there are significant and vacant reserves of potential opportunities in this problem [1]. They can be divided into two groups – technological ways to improve grinding efficiency and instrumental ones. The first group includes the

* Corresponding author: korotkov.a.n@mail.ru

development of advanced methods of grinding and construction of machine tools for their implementation. The second group includes design, manufacture and application of new high-performance constructions of grinding tools.

2 Materials and Methods

When plunger of hydraulic cylinders is being grinding, having large dimension (length and diameter, respectively, over 1000 mm and 400 mm) and weight, there is a problem with their run-out during rotation in the centers of a machine cutting tool (turning or grinding tool). Elimination of these run-outs, reaching $\Delta = 5 \div 10$ mm per side by means of mobile or stationary lunettes, does not always produce the desired effect – outruns are reduced but are not completely eliminated. Such situation becomes dangerous when plungers (or rods) are treated when a grinding disk is used as a grinding tool and a work piece is treated by a scheme of cylindrical grinding. If there are great run-outs a disk may fail during operation due to irregular allowance and large cyclic loads, and a part can get waste of the grinding surface.

Removal of such negative consequences under grinding is achieved by implementing of quite costly measures – increasing the fixity of the machine construction (for example, through the purchase of a new machine), which is under repairing is not quite cost-effective, or it can be done due to the replacement of tools and grinding scheme [2, 3, 4, 5]. Thus often under run-outs of machine parts, hard grinding disk is replaced by a grinding belt or a flap grinding disk, and the cylindrical grinding scheme is changed into the scheme of belt and flap grinding [6,7]. However, in this case, there is a disadvantage in treatment performance and increased consumption of tools, which are rapidly worn.

As an alternative variant of treatment of mentioned machine parts the KuzSTU department of "Metal-cutting machines and tools" proposed grinding with the help of a developed machine tool, which is schematically shown in Fig. 1.

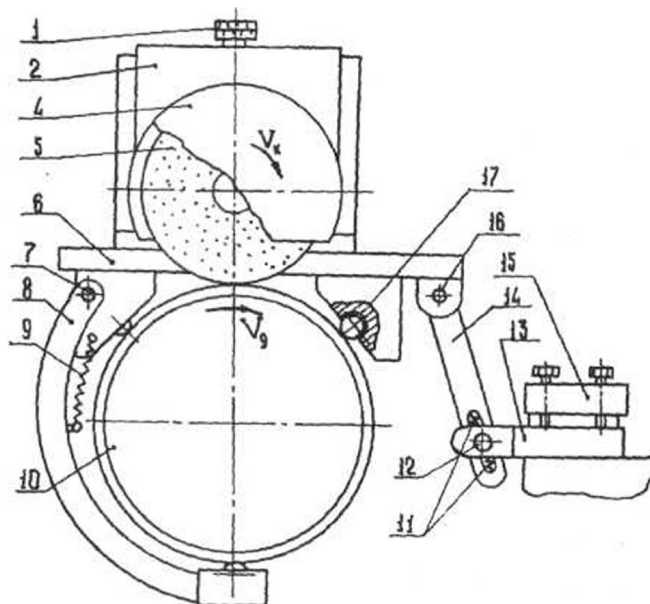


Fig 1. Machining device for grinding of hydraulic cylinders parts of large size

In the device by means of a micro screw 1 of vertical feed, a bed carriage 2 with attached to the carriage an electric motor 3 with a protective cap 4 and with a grinding disk 5, it is possible to set the vertical disk movement towards a platform 6, which by means of a pin 7, a bracket 8 and a spring 9 is fixed on a work piece 10. The platform together with the grinding disk can be moved towards a machine part by means of springs 11, a trunnion block 12, a pull-rod 13 and a crank arm 14 by means of a cutter holder 15, fixed on a bed carriage of a turning (or grinding) machine.

Parts 11,12,13,14 provide flexible joint of the bed carriage and the cutter holder with the platform 6 and compensate their mutual movement towards to each other.

The platform 6 is install on the machine part on the four upper bearing parts 17 and is supported by two same bearing parts at the bottom.

The device operating principle is that the platform 6 with a grinding disk 5 and its electric drive are placed on the top of the machine part 10, and are held down by the bracket 8 and by means of the pull-rod 13 is connected with the cutter holder 15. The machine tool is turned on and the desired speed of part rotation is set up; then the grinding disk is driven to rotate, it is approached to the machine part by vertical feed and is plunged into the part to the desired cut depth. The longitudinal feed of a bed carriage of the machine tool is turned on and cylindrical grinding process of parts along its length is carried out.

For the device roll off from the treated part the special adapter is installed between the back center of the machine and the work piece. The diameter of the adapter corresponds to the diameter of the treated work piece, and its length is equal to the required length of overrun beyond the part edges.

The grinding disk is located behind the bearing parts 17, so it eliminates the possible violations of the treated surface by the trunnion ball 17.

Another progressive method of parts treatment of hydraulic cylinders is the introduction of rotational-abrasive grinding (circular plunge grinding) for cutting parts and grooving [8].

The scheme of such grinding method is shown in Fig. 2.

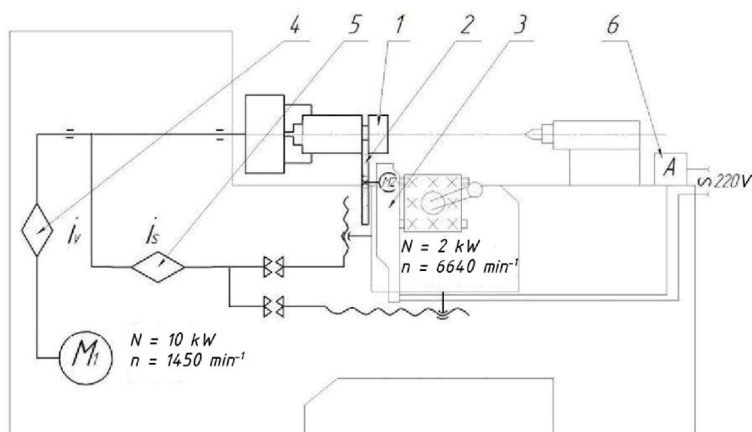


Fig 2. The scheme of rotational-abrasive grinding for cutting parts and grooving

To implement the method a turning machine is used, the model of which is chosen according to the size of work pieces.

The treated work piece 1 is fixed in the chuck of the machine tool and the treatment is done by a cutting grinding disk 2, which is installed on the main spindle of the angle grinder (AG) 3, which is fixed on the cutter holder of a machine tool. The part rotation frequency and the magnitude of cross-feed of a disk are regulated by the speed box 4 and

feed box 5 of a turning machine. The ammeter 6, built-in AG chain, serves for registration of grinding effective power.

Instrumental improving of the treatment efficiency of parts of hydraulic cylinders can be considered the way, associated with the design, manufacturing and application of new advanced constructions of grinding tools, consisting of grains of certain form, and oriented in the tool body in a given direction.

The fact is that the standard grinding tools are made from grains of optional form, randomly placed in the tool body [9, 10]. That is why, only a small portion of such grains of the tools randomly acquires favorable geometry for cutting and cut metal. Most of the grains are not taking part in the overall micro cutting process or participates in it in a minimum volume, deforming and heating the metal. The share of active grains, ensuring the removal of metal, according to the data of various researchers, is only 10-15% of their potential possibilities [11]. Thus, there is a substantial reserve of unused grains possibilities, determined by their relatively low physical and mechanical properties, and also by their unfavorable and uncollected geometry of cutting parts.

The geometry of the grains is determined by two factors – their form and location on the working surface of a grinding tool. Grains form, due to the specificity of their manufacturing technologies [12, 13] by abrasive ingot crush and subsequent sizing of obtained abrasive mass into fractions with different particle size, varies within a wide range from isometric to plastic types. More accurate quantitative classification of grains form can be given by so-called form coefficient (C_f) equal to the ratio of diameters of inscribed and described spheres (in volume) or circulars (on the plane) into grains configuration. Developed the software that allows in automatic mode to determine the numerical values of the coefficients of the grains forms of various fractions according to the analysis of single grains in amount of at least 50-100 pieces.

To separate the original abrasive mass on the number of fractions with the grains of the same form the construction of the special vibratory separator was developed, which was patented and has a certificate for the invention of the Russian Federation (Patent 2248851 Russian Federation). To give a particular orientation to grains in a grinding disk, there was a method proposed, based on the usage of electric static effect, which is also patented (Patent 2369474 Russian Federation).

Thanks to the proposed methods to separate grains according to form and to give them a specific position in the tool body, it was possible to develop a technology to create new designs of grinding tools with controlled grains form and orientation. During the implementation of this technology the mixing machine was also developed to prepare the abrasive molding compounds. The remaining stages of the new technology don't fundamentally differ from the standard one and are completed by forming and heat treatment operations of grinding disks.

3 Results and Discussions

The device was developed in the way that allows grinding of a part of the hydraulic cylinder with high-quality and productively, while the cylinder is being manufactured or repaired and reconstructed. The device exploitation at the factory confirmed its effective functioning and the ability to perform the given tasks.

The principle included in the design of this device (the combination of parts and tools bases), allows under hard radial run-outs of samples to polish not only the plungers of hydraulic cylinders, but other similar parts. For example, axle trees and large diameter pipes, cylinder containers and others.

Rotational abrasive cutting and grooving has a number of advantages in comparison with conventional forms of treatment [14]. Among them there are:

- reduction of grinding temperature and, as a consequence, the elimination of burns on the parts due to their rotation and continuous displacement of the contact area and the part (each local area of the part manages to cool until the next contact with the tool);
- the tool is less intensively heated and worn;
- there are no flash and sharpened edges on the part after such treatment.

Besides axisymmetric cylindrical parts the work pieces of other sections (square, rectangular, elliptical, etc.) may be subjected to this kind of treatment.

New constructions of grinding tools with controlled form and orientation of the grains with enhanced effectiveness were developed. Comparative tests of this tools with standard ones demonstrated their advantages in a number of operational parameters [15, 16]. The utilization of these tools for grinding of parts of hydraulic cylinders increases the productivity and quality of their production.

Discussion of the results described above is reflected in the previous section. The results of the developments according to paragraph 2 suggest that a differentiated and well-reasoned approach to the choice of the form and orientation of grains in grinding disks gives a significant increase in their performance. In particular, in the schemes of Fig. 3 – Fig. 4 it is shown that the cutting capacity (Q_m) and surface roughness (R_a) is directly dependent on the form of the grains in a disk (C_f).

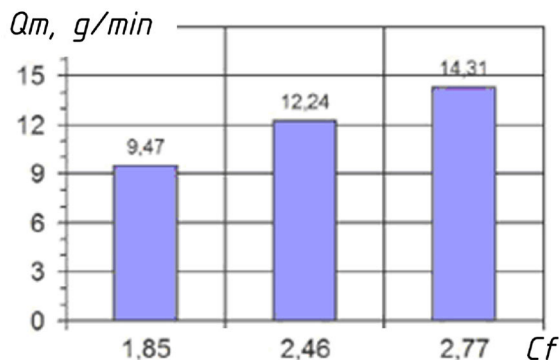


Fig 3. Cutting capability of disks with controlled form of grains

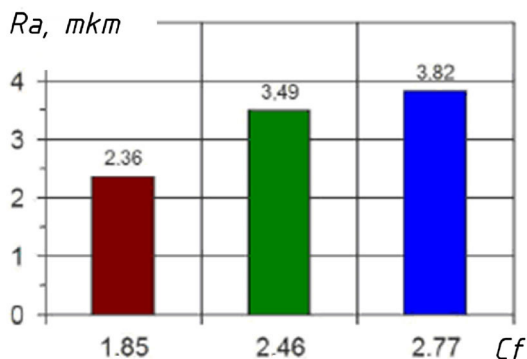


Fig 4. The roughness of the surface, treated by disks with controlled grains form

Specifically:

- with transition from isometric grains to grains of needed-plastic form the cutting capability of grinding disks, in dependence on the trade mark of abrasive and grinding scheme and condition increases in 1.51 times (Fig. 3);

- reduction ratio of grains form (transition to the isometric forms) can reduce the surface roughness in 1.6 times (Fig. 4);
- cutting capability of disks with grains oriented in the radial direction in 1.25-1.27 times higher than of conventional tools;
- application grains form with a tangential orientation in disks makes it possible to reduce the roughness of treated surfaces in 1.28-1.97 times.

4 Conclusion

The researches have confirmed the initial idea that parts of hydraulic cylinders used in mining engineering can be manufactured, repaired and reconstructed productively and efficiently by application of the proposed technological and instrumental approaches.

References

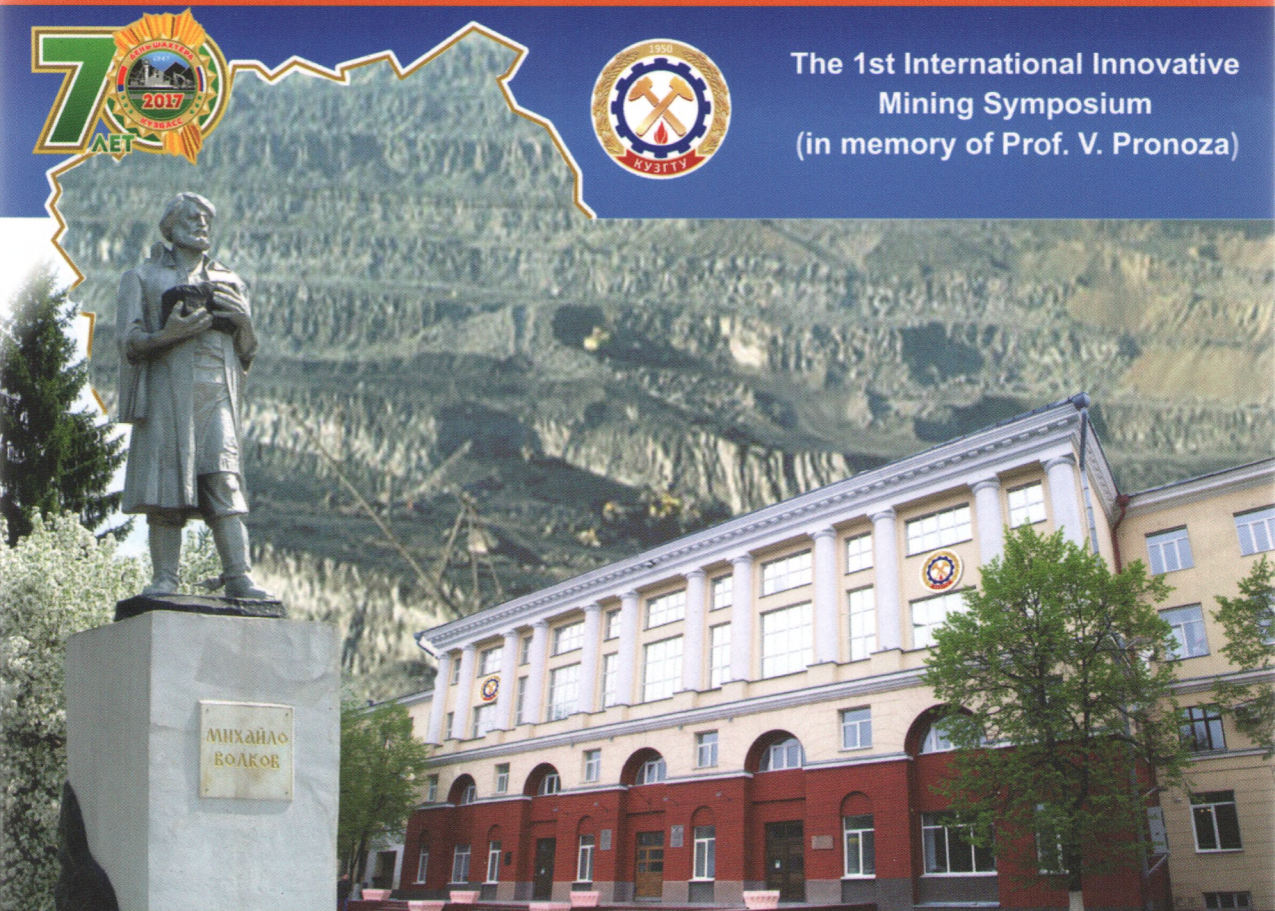
1. V. Korotkov, S. Petrushin, *Applied Mechanics and Materials*, **682** (2014)
2. A. Hirsch, *Werkzeugmaschinen. Grundlagen, Viewegs Fachbuecher der Technik* (2000)
3. *Taschenbuch Maschinenbau* (Verlag Technik Berlin, 1978)
4. *DIN 69 651 Werkzeugmaschinen fuer die Metallbearbeitung*, (Verlag Berlin, 1982)
5. *Werkzeuge. Fachkatalog* (Verlag Berlin, 1992)
6. A. Korotkov, D. Shatko, *Applied Mechanics and Materials*, **788** (2015)
7. W. Koenig, *Fertigungsverfahren, Band 1 bis 5* (VDI-Verlag, Duesseldorf, 1990)
8. V. Korotkov, *IOP Conf. Series: Materials Science and Engineering*, **91**, 012041 (2015)
9. V. Lukshin, *Applied Mechanics and Materials*, **682** (2014)
10. G. Lal, M. Shaw, *Works of American union of engineers*, **97** (1975).
11. V. Lukshin, A. Barsuk, R. Fazleev, *IOP Conf. Series: Materials Science and Engineering* **91**, 012047 (2015)
12. A. Korotkov, A. Hirsch, *IDR*, **2** (2002)
13. W. Degner, H. Lutze, E. Smejkal, *Spanende Formung: Theorie, Berechnung, Richtwerte* (Carl Hanser Verlag Muenchen Wien, 1993)
14. *Verein Deutscher Werkzeugmaschinenfabriken e. V. (Hrsg.): Werkzeugmaschinen Bezugsquellenverzeichnis*, (Ausgabe, Frankfurt am Main, 1997)
15. *Development Methods and Application Experience of Parallel Kinematics* (Verlag Wissenschaftliche Scripten, 2002)
16. *Handbuch der Metallbearbeitung* (Verlag Europa-Lehrmittel, 2000)

E3S Web of Conferences

Proceedings



The 1st International Innovative Mining Symposium
(in memory of Prof. V. Pronoza)



ENVIRONMENT, ENERGY &
EARTH SCIENCES

E3S Web of Conferences

**The 1st International
Innovative Mining Symposium
(in memory of Prof. Vladimir Pronoza)**

Kemerovo, Russian Federation, April 24-26, 2017

Edited by:

M. Tyulenev, S. Zhironkin, A. Khoreshok, S. Voth,
M. Cehlar and Y. Tan

The logo for 'edp sciences' features the lowercase letters 'edp' in a stylized, lowercase font, followed by the word 'sciences' in a clean, lowercase sans-serif font.

Organizing Committee

Aksenov Vladimir V., DSc, Prof., Head of Laboratory of Mining Geotechnical Engineering of the Institute of Coal of SB RAS, Kemerovo, Russia

Asmelash Abay, PhD, Assoc. Prof., College of Natural and Computational Sciences, Mekelle University, Ethiopia

Barysheva Galina A., DSc, Head of Economics Department, National Research Tomsk Polytechnic University, Tomsk, Russia

Cehlár Michal, PhD, Prof. Ing., Dean of Mining Faculty, Technical University of Kosice, Kosice, Slovak Republic

Demirel Nuray, PhD, Middle East Technical University, Turkey

Gasanov Magerram A., DSc in Economics, Prof., National Research Tomsk Polytechnic University, Tomsk, Russia

Gvozdikova Tatyana N., PhD, Director of Mezhdurechensk Branch of T.F. Gorbachev Kuzbass State Technical University, Mezhdurechensk, Russia

Khoreshok Alexey A., DSc, Prof., Director of Mining Institute, T.F. Gorbachev Kuzbass State Technical University, Kemerovo, Russia

Kostyuk Svetlana G., Vice-Rector, T.F. Gorbachev Kuzbass State Technical University, Kemerovo, Russia

Krechetov Andrey A., PhD, Acting Rector, T.F. Gorbachev Kuzbass State Technical University, Kemerovo, Russia

Lesin Yury V., DSc, Prof., Kuzbass State Technical University, Kemerovo, Russia

Markov Sergey O., PhD, Assoc. Prof., Surveying and Geology Department, T.F. Gorbachev Kuzbass State Technical University, Kemerovo, Russia

Misnikov Oleg S., DSc, Dean, Tver State Technical University, Tver, Russia

Myaskov Alexandr V., DSc, Dean, National University of Science and Technology MISiS, Russia

Seroni Anyona, PhD, Assoc. Prof., Jomo Kenyatta University of Agriculture and Technology, Kenya

Tyulenev Maxim A., PhD, Prof., T.F. Gorbachev Kuzbass State Technical University, Kemerovo, Russia; Yurga Technological Institute of National Research Tomsk Polytechnic University, Russia

Vöth Stefan, Dr.-Ing., Prof., TFH Georg Agricola, Bochum, Germany

Janočko Juraj, PhD, Technical University of Kosice, Kosice, Slovak Republic

Zhironkin Sergey A., DSc, Prof., National Research Tomsk Polytechnic University, Tomsk, Russia

Contents

00001 Preface: the role of T.F. Gorbachev State Technical University as the Flagship of Kemerovo Region Innovative Development
A. Krechetov

Perspective Mining Technologies

01001 The Length Of Bearing Pressure Zone For The Flat Seams Extraction In A Linear Deformation Rock

V. Gogolin, Y. Lesin and A. Djagileva

01002 The influence of advancing speed of powered mining stope with single face on earth's surface displacing in Kuzbass

A. Renev, S. Svirko, A. Bykadorov and V. Fedorin

01003 Energy Consumption in the Process of Excavator-Automobile Complexes Distribution at Kuzbass Open Pit Mines

I. Panachev, B. Gerike, I. Kuznetsov and A. Shirokolobova

01004 Slope Stability Assessment and Underground Mine Design Analysis of Achibo-Sombo Underground Conventional Coal Mine, Southwest Ethiopia

M. Haftu, B. Konka, K. Woldeargay and A. Abay

01005 Geomechanics of rock array for chamber system of coal deposits development on the example of finalizing by KGRP complex

A. Bykadorov, D. Degtyarev, S. Smirnov and O. Pechenegov

01006 Justification of the Optimal Granulometric Composition of Crushed Rocks for Open-Pit Mine Road Surfacing

V. Shalamanov, V. Pershin, S. Shabaev and D. Boiko

01007 Optimization of transportless technological schemes for coal seams quarrying

T. Gvozdikova, E. Plotnikov and E. Usova

01008 The features of three- and four-tier internal dumps capacity calculation with the additional capacity preparation in the dump tiers

T. Gvozdikova, E. Kuznetsov, A. Rudakova and S. Markov

01009 The Relationship Between the Manifestations of Rock Pressure and the Relative Deformation of Surrounding Rocks

S. Kostyuk, N. Bedarev, O. Lyubimov and A. Shaikhislamov

01010 Computer Simulation of Electroosmotic Soils Treatment

M. Gucal and A. Pokatilov

01011 Innovative numerical modelling of technogenic rock arrays structure

S. Markov, M. Tyulenev, O. Litvin and E. Tyuleneva

01012 Definition of the form of coal spontaneous combustion source as the inverse problem of geoelectrics

D. Sirota, V. Ivanov and V. Khyamyalyaynen

- 01013 Numerical Simulation of Primary Roof Collapse in Production Workings
I. Ermakova and V. Klimov
- 01014 The Study of Processes of Electrochemical Treatment of Soils at the Pilot Test Site
S. Prostov, E. Shabanov and A. Shadrin
- 01015 The study of stress-strain state of stabilized layered soil foundations
M. Sokolov, S. Prostov and V. Zykov
- 01016 Justification of parameters and technology of retaining prism filling to eliminate landslide
V. Balakhnin, O. Veretennikova, R. Pobegaylo and E. Mezina
- 01017 Use of Deep Peat-Processing Products for Hydrophobic Modification of Gypsum Binder
O. Misnikov and V. Ivanov
- 01018 Software for Automated Production Line of Peat Briquettes
V. Lebedev and O. Puhova
- 01019 Assessment process of concept for mining and its impact on the region
M. Cehlár, J. Janočko, Z. Šimková and T. Pavlik
- 01020 Experimental Study of Methane Hydrates in Coal
V. Smirnov, V. Dyrdin, T. Kim, A. Manakov and A. Khoreshok
- 01021 Expert evaluation of innovation projects of mining enterprises on the basis of methods of system analysis and fuzzy logics
A. Pimonov, E. Raevskaya and T. Sarapulova
- 01022 Gas hydrates in coal seams and their impact on gas-dynamic processes in underground mining
T. Kim, V. Dyrdin, V. Smirnov and V. Nesterov

Environment Saving Development of Mining

- 02001 Environmental and Economic Efficiency of Comprehensive Technology of Sulfur Oxides, Nitrogen Oxides and Mercury Removal from Flue Gases
S. Grigashkina, T. Galanina, V. Mikhailov, T. Koroleva and E. Trush
- 02002 Utilization prospects for coal mine methane (CMM) in Kuzbass
O. Tailakov, D. Zastrellov, V. Tailakov, M. Makeev and P. Soot
- 02003 The Experience of Using Innovative Artificial Filter Arrays on South Kuzbass Open Pit: Case Study
M. Tyulenev, Y. Lesin, E. Tyuleneva and E. Murko
- 02004 The results of air treatment process modeling at the location of the air curtain in the air suppliers and ventilation shafts

A. Nikolaev, N. Alymenko, A. Kamenskih and V. Nikolaev

02005 Mitigating Against Conflicts in the Kenyan Mining Cycle: Identification of Gaps in the Participation and Recourse for Rights Holders (Civil Society & Community)

S. Anyona and B. Rop

Innovative Mining Equipment

03001 Modeling of Power Consumption of the Mining Equipment Using “The Probabilistic Automata Method”

A. Zakharova, V. Kashirskikh, I. Lobur, N. Shauleva and V. Borovtsov

03002 Application of Machine Learning for Dragline Failure Prediction

A. Taghizadeh and N. Demirel

03003 Kinematic Parameters Of Rotary Transmission With Hydraulic Cylinders

M. Blaschuk, A. Dronov, A. Koperchuk, R. Chernukhin and V. Litvinenko

03004 The results of cutting disks testing for rock destruction

A. Khoreshok, L. Kantovich, V. Kuznetsov, E. Preis and D. Kuziev

03005 Grinding efficiency improvement of hydraulic cylinders parts for mining equipment

A. Korotkov, V. Korotkov, L. Mametyev, L. Korotkova and T. Terjaeva

03006 The Smart Grid using in the Kuzbass open-pit coalmine

I. Semykina, A. Evstratov and G. Lebedev

03007 Multifunctional Testing Rig for Machinery Safety Equipment

S. Vöth, J. Tschersich and Tim Schwartz

03008 Development of the preventive maintenance system for belt conveyors reducers

B. Gerike, I. Panachev and E. Kuzin

03009 Determination of Load Performance of Two-Bar Girder Lining

Y. Glazkov, A. Kazantsev, D. Nesteruk, V. Aksenov and A. Efremenkov

03010 Ways of increasing excavator fleet productivity in Russian coal open pits (Kuzbass case study)

M. Drygin, N. Kurychkin and A. Bakanov

03011 Strategy of Russian Coal Mining Enterprises' Excavator Park Technical State Correction

M. Drygin, N. Kurychkin and A. Bakanov

03012 The innovative development of machine building as a driver of import substitution

S. Zhironkin, M. Gasanov, G. Barysheva, K. Kolotov and O. Zhironkina

03013 “Smart Service” as an innovative system of service for mining companies in Kuzbass

L. Samorodova, L. Shut'ko, Y. Yakunina and O. Lyubimov

03014 Special Modes of AC Drives Operation in the Mining Industry

L. Payuk, N. Voronina, O. Galtseva, D. Zhang and A. Rogachev

03015 Impact of the number of blades of the geokhod cutting body on cutting forces
V. Aksenov, V. Sadovets, E.Rezanova and D. Pashkov

03016 Comparison of technological efficiency of gravitational devices for preparation of
large diluted coal
V. Udovitsky, V. Kandinsky and A. Begunov

03017 The intelligent mechatronic system for open pit mining to increase the operation life
of equipment
I. Semykina, V. Zavyalov and V. Kashirskikh

Economic and Social Development of Mining Regions

04001 The principles of municipal industrial clusters' establishment on the territory of
advancing social-and-economic development of mono-town
O. Ivanova, G. Antonov and S. Bereznev

04002 The innovative strategy of social and economic development of mining region
S. Bereznev, O. Zonova and E. Lubkova

04003 The analysis of strategies for the mining regions' development in Russia as a
condition of effective management of economy
N. Zaruba, N. Egorova and P. Kosinskij

04004 Increasing the efficiency of coal mining based on the concept of Shewhart-Deming
variability management
V. Mikhailchenko and Y. Rubanik

04005 Evaluation of consumer satisfaction with the quality of training of young
professionals by the universities for enterprises of coal-mining complex
V. Mikhailchenko and I. Seredkina

04006 Innovative development of the economy as the most important factor in ensuring the
financial security of the mining region
N. Kudrevatykh, T. Snegireva and A. Tselischeva

04007 Theoretical Foundations of the New Industrialization of the Mining Region under
Globalization
L. Kusurgasheva, O. Nedospasova and E. Zhernov

04008 Problems and Prospects of Sustainable Development of Mining Regions
I. Levitskaya, N. Pastukhova and O. Dubrovskaya

04009 Innovations as borders of stages of coal industry historical development
E. Sigareva, S. Popov, S. Baturin, N. Sidorova and M. Borisova

04010 Using innovative interactive technologies for forming linguistic competence in
global mining education
G. Chistyakova, E. Bondareva, K. Demidenko, E. Podgornaya and O. Kadnikova

- 04011 Technological convergence and innovative development of natural resource economy
F. Agafonov, A. Genin, O. Kalinina, O. Brel and O. Zhironkina
- 04012 Structural problems of mining region innovative development (Kuzbass, Western Siberia)
E. Dotsenko and N. Ezdina
- 04013 Neo-industrialization of Kuzbass economy in innovative development of coal industry and machinery
A. Balabanova, V. Balabanov, E. Dotsenko and N. Ezdina
- 04014 The problems of correlation the life quality and interpersonal dialogue in legal practice of mining regions
V. Zolotukhin, E. Stepantsova, M. Kozyreva, A. Tarasenko and A. Stepantsov
- 04015 Demographic and migration policy in the mining region and its impact on the ecological consciousness of the population
V. Zolotukhin, A. Bel'kov, E. Stepantsova, M. Kozyreva and A. Tarasenko
- 04016 Cross-cultural analysis of the verbal conflict behavior of the graduate mining engineers
I. Pevneva, O. Gavrishina, A. Rolgayzer, M. Agienko and A. Myaskov
- 04017 The impact of human factor on labor productivity at the mining enterprises
G. Pinigina, I. Kondrina, S. Smagina, V. Tatsienko and A. Meshkov
- 04018 Enhancing the Role of Educational Services of Higher Education System in the Competitive Specialists Training for Industry
O. Kuznetsova, S. Kuznetsova, E. Yumaev, V. Kuznetsov and I. Plotnikova
- 04019 Formation and Development of the Training System for Innovative Development of Regional Industry
O. Kuznetsova, S. Kuznetsova, E. Yumaev, V. Kuznetsov and O. Galtseva
- 04020 Evaluating the Effectiveness of Internal Corporate Controls in Coal Mines Illustrated By the Example of JSC "SUEK-Kuzbass"
E. Kucherova, T. Ponkratova, T. Tyuleneva and N. Cherepanova
- 04021 The communication aspect of specialists' professional competence
L. Znikina, N. Mamontova and P. Strelnikov

The development of mining technologies is impossible without innovations in the entire complicated process of extraction of mineral resources, investment in the modernization of mining equipment and the development of human capital. The aim of The 1st Scientific Practical Conference "International Innovative Mining Symposium (in memory of Prof. Vladimir Pronoza)" is to create a platform for international discussion of mining problems by specialists, experts and researchers. Today, the innovative development of mineral resource sector in industrial regions challenges the system of higher mining education. The role of engineering pedagogy is increasing in globalization of mining and engineering humanization.

ISBN: 978-2-7598-9016-3

